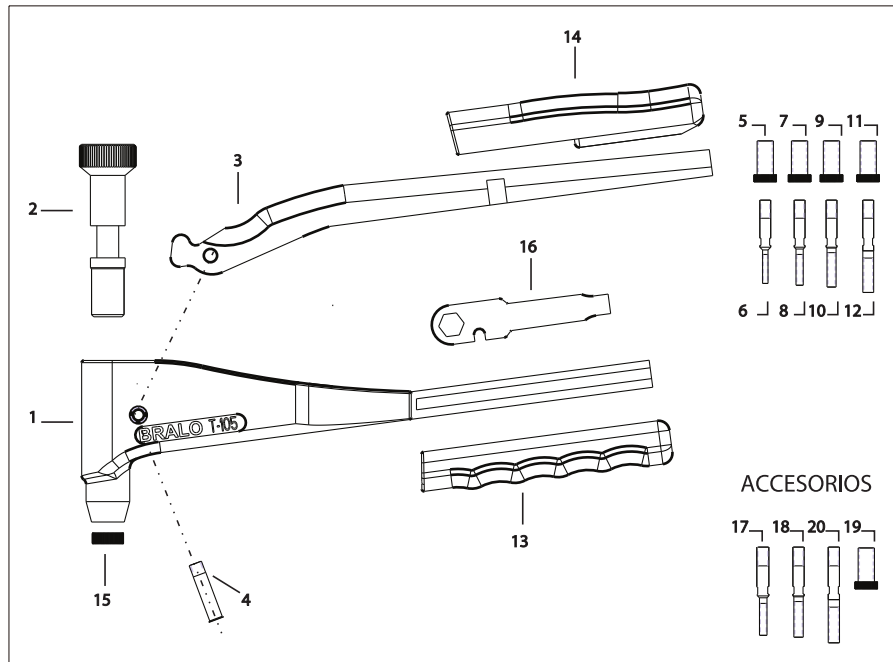


Заклепочник T-105 BRALO для резьбовых заклепок

### BREAKDOWN T-105



спецификация запчастей - заклепочник t-105 bralo

N°	REFERENCE	DESCRIPTION
1	05TR0105001	Maincorp
2	05TR0105002	Mandrel holder
3	05BM0075003	Steel lever
4	05BM0075004	Screw pin
5	05TR0105005	Nosepiece M3
6	05TR0105006	Mandrel M3
7	05TR0105007	Nosepiece M4
8	05TR0105008	Mandrel M4
9	05TR0105009	Nosepiece M5
10	05TR0105010	Mandrel M5
11	05TR0105011	Nosepiece M6
12	05TR0105012	Mandrel M6
13	05BM0075013	Main handle
14	05BM0075014	Steel lever handle
15	05TR0105015	Adjustment lock-nut
16	05BM0075016	Key

#### OPTIONAL

17	05TR0105W08	Mandrel n°8 (5/32 UNC)
18	05TR0105W10	Mandrel n°10 (3/16 UNC)
19	05TR0105W11	Nosepiece 1/4 UNC
20	05TR0105W12	Mandrel 1/4 UNC

\* The spare part number 17 is used together with the number 7  
The spare part number 18 is used together with the number 9